

**This camera manual library is for reference and historical purposes, all rights reserved.**

**This page is copyright by mike@butkus.org M. Butkus, N.J.**

**This page may not be sold or distributed without the expressed  
permission of the producer**

**I have no connection with any camera company**

**If you find this manual useful, how about a donation of \$3 to: M. Butkus, 29 Lake Ave., High Bridge, NJ 08829-1701 and send your E-mail address too so I can thank you. Most other places would charge you \$7.50 for a electronic copy or \$18.00 for a hard to read Xerox copy. These donations allow me to continue to buy new manuals and maintain these pages. It'll make you feel better, won't it?**

**If you use Pay Pal, use the link below. Use the above address for a check, M.O. or cash. Use the E-mail of butkusmi@ptd.net for PayPal.**

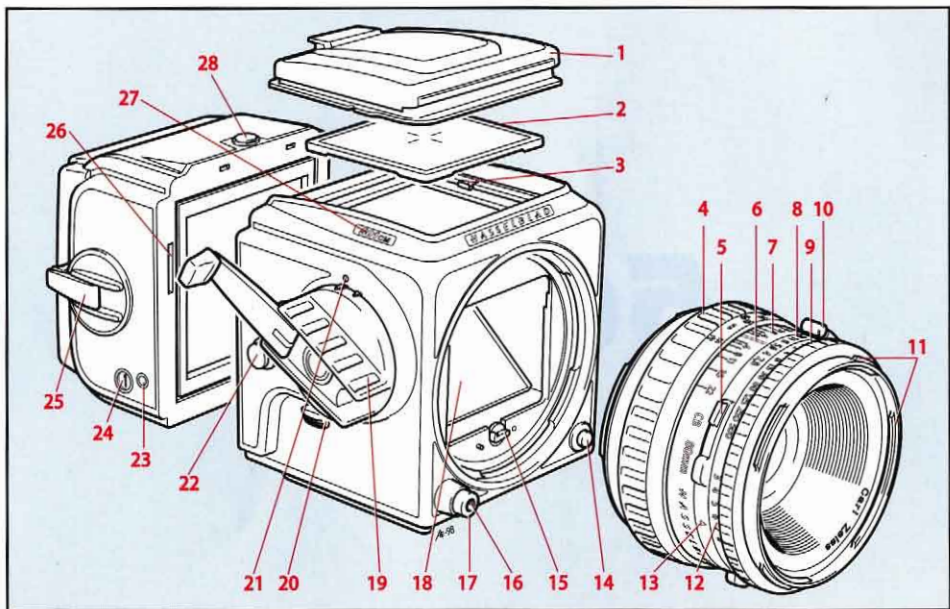


[back to my "Orphancameras" manuals /flash and light meter site](#)

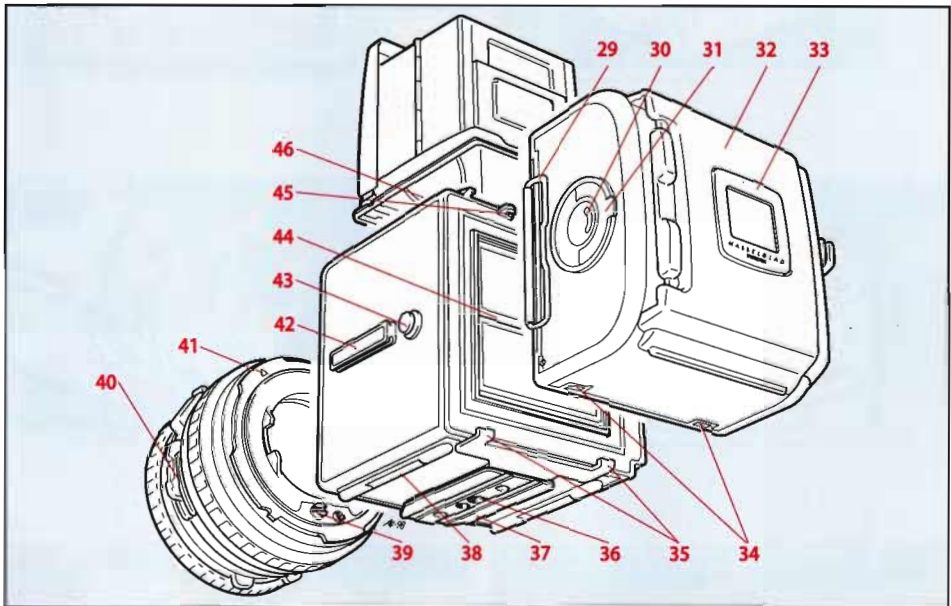
Only one "donation" needed per manual, not per multiple section of a manual !

The large manuals are split only for easy download size.

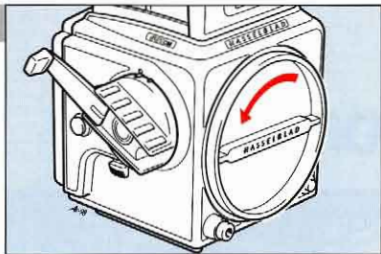
# 501 CM



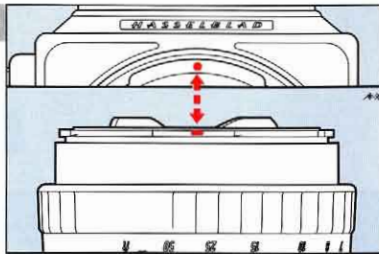
# 501CM



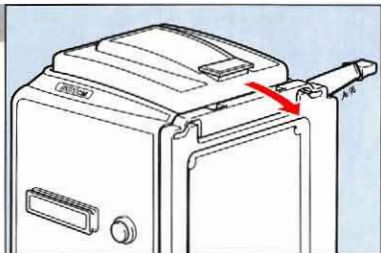
3



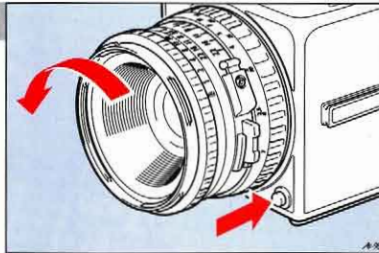
6



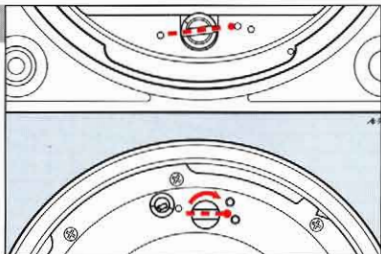
4



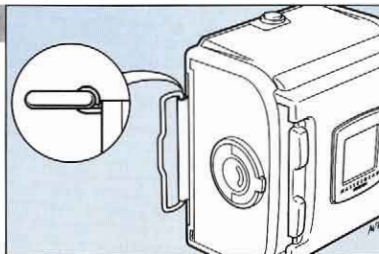
7



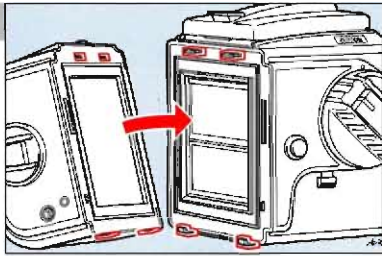
5



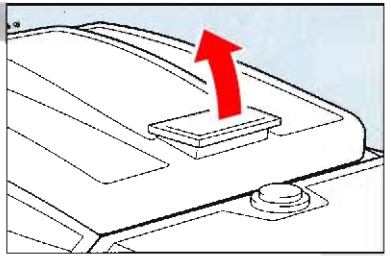
8



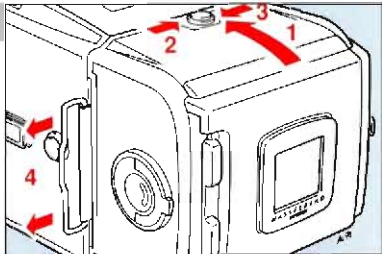
9



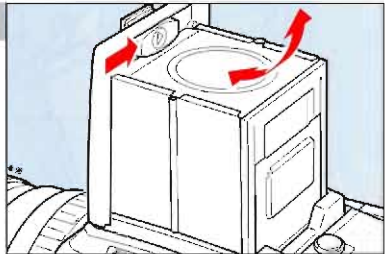
12



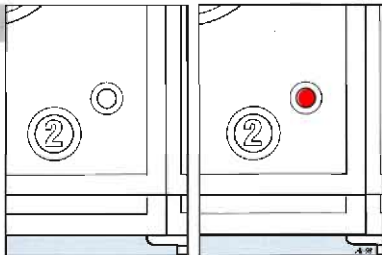
10



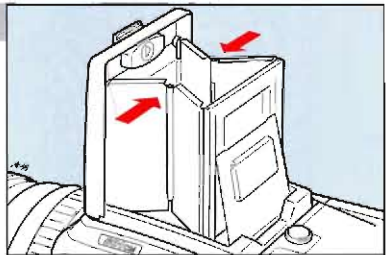
13



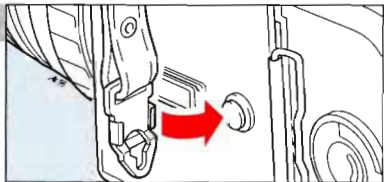
11



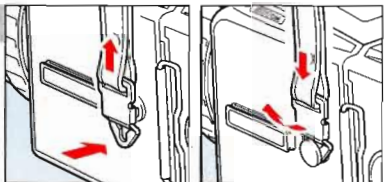
14



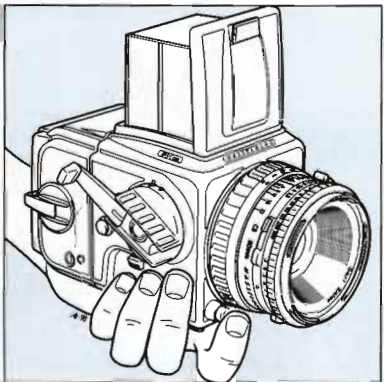
15



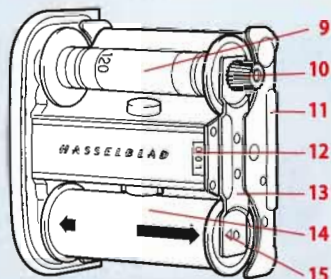
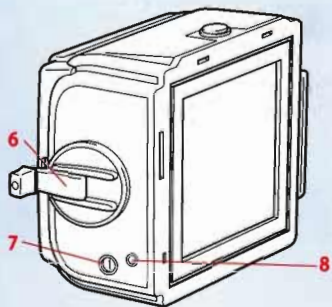
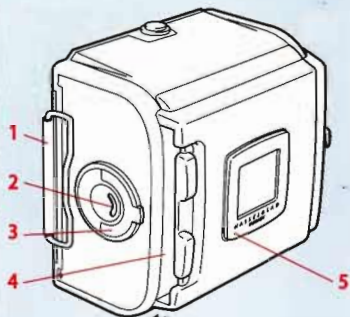
16



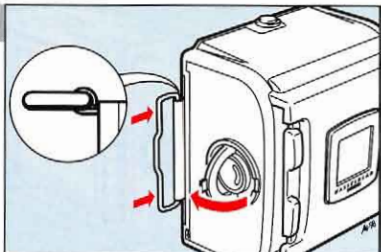
17



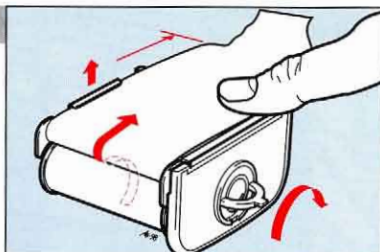
18



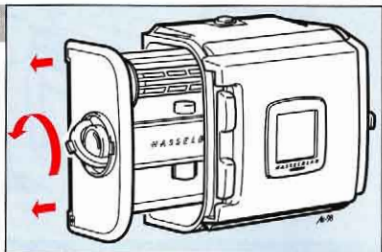
19



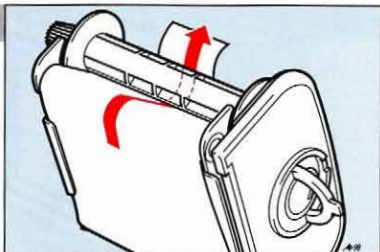
22



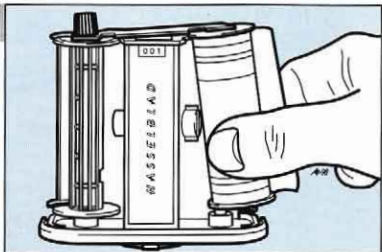
20



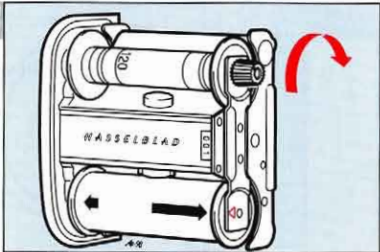
23



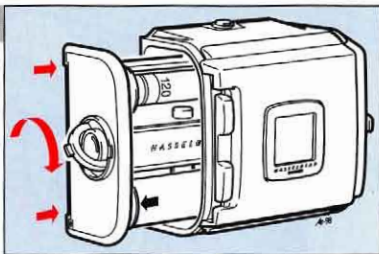
21



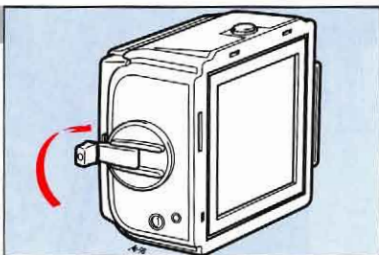
24



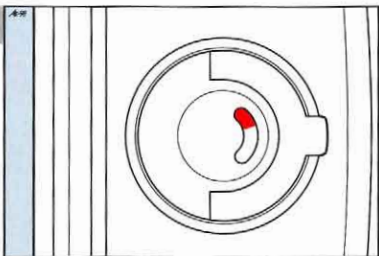
25



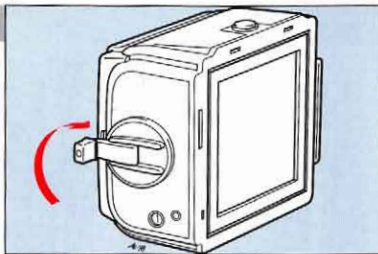
26



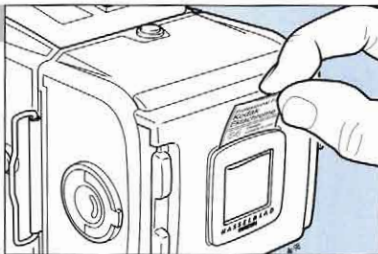
27



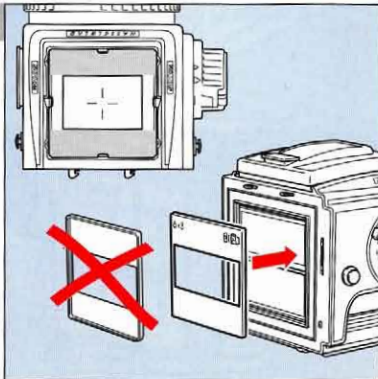
28



29

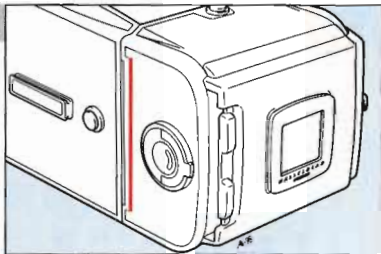


30

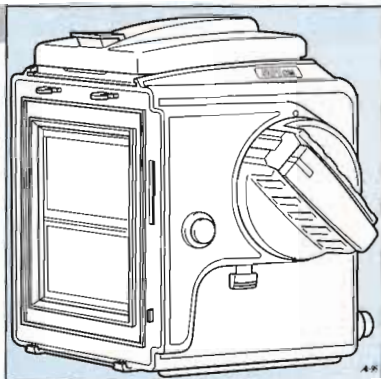




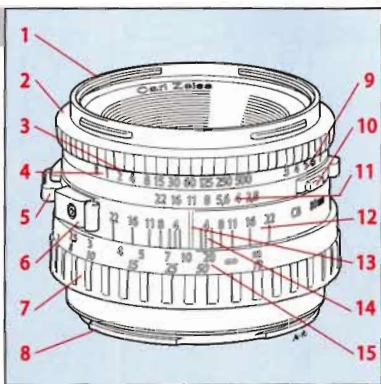
31



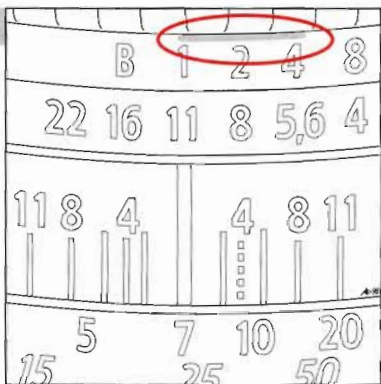
33

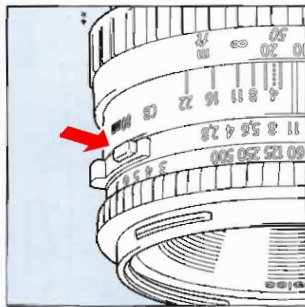
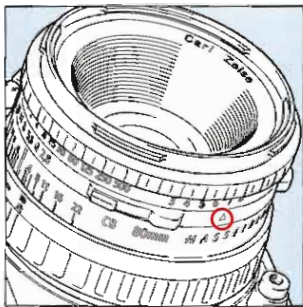
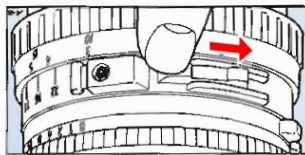
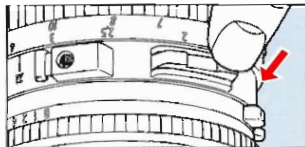
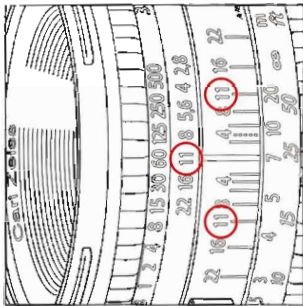


32

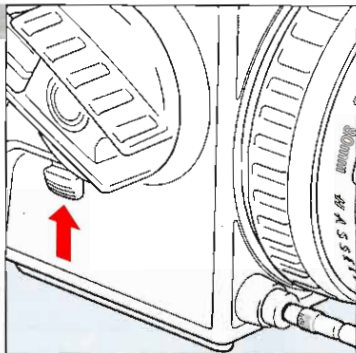


34

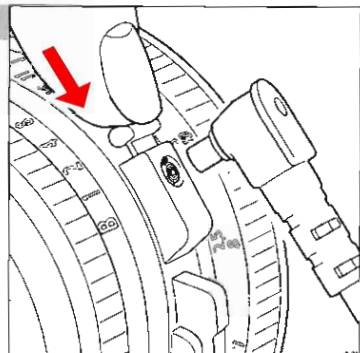




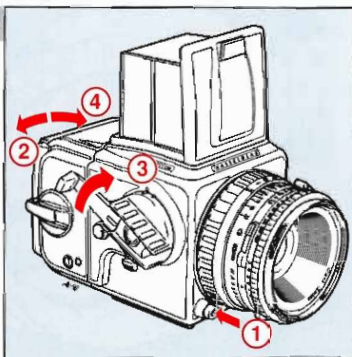
39



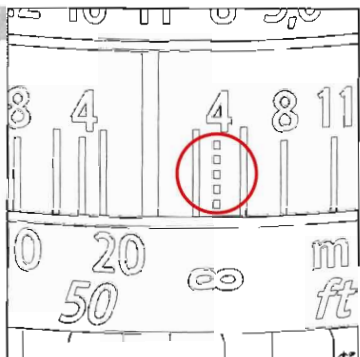
41



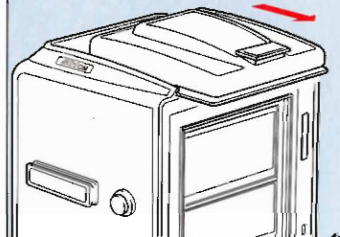
40



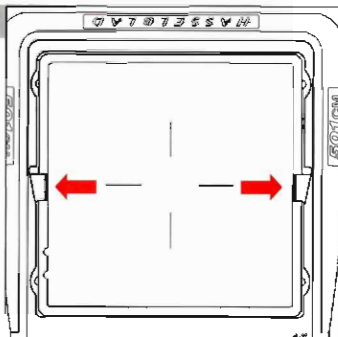
42



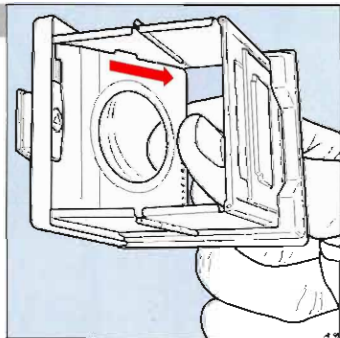
43



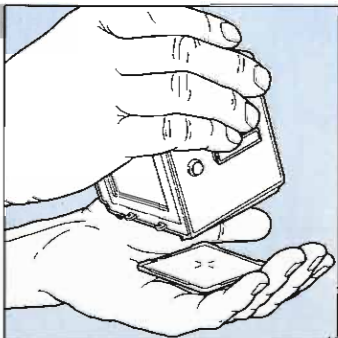
45



44



46



47



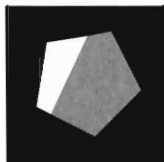
a



b

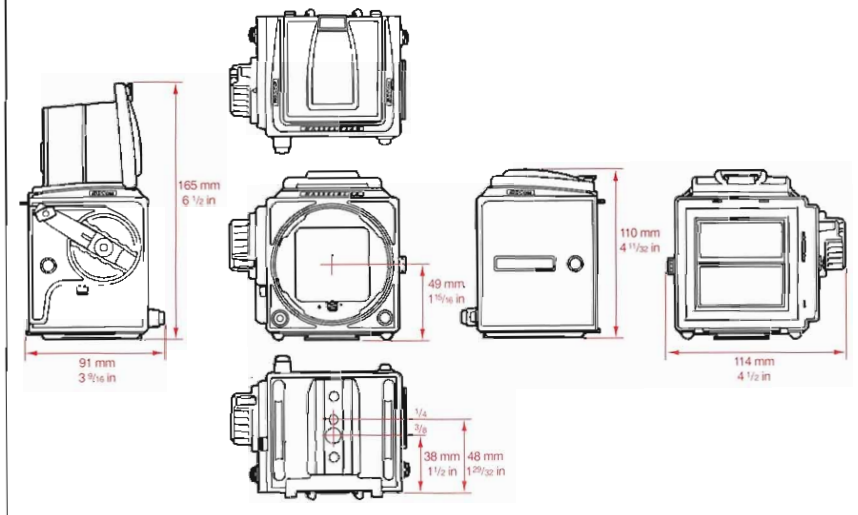


c



d

48





E12CC



E12



A12



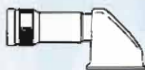
E24



A24



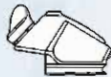
HM2



RM2



PME51



PM5



6x6 cm



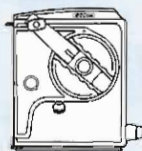
E16



A16



A32



501CM



Softars

6x4.5 cm



Ø60



Ø60



Ø70



Ø70

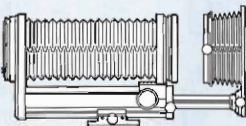
70 mm



Ø93

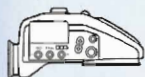


Ø93



Pola

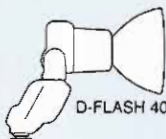




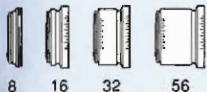
PME90



PM90



D-FLASH 40



8 16 32 56



Proxars



Ø60

PC-Mutar  
1.4X Shift Converter



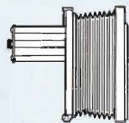
Teleconverter APO 1.4XE



Ø70



Ø93



Proshade 6093T

Teleconverter 1.4XE

Converter 2XE



CB 60



CB 80



CB 160



CF 500



CFi 30

CFi 120



CFE 40

CF 135



CFi 50

CFi 150



CFE 80

CFi 180



CFi 250

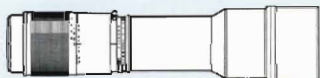


CFi 100

CF 250Sa



CFE 350Sa



Variogon  
CF 140-280

